

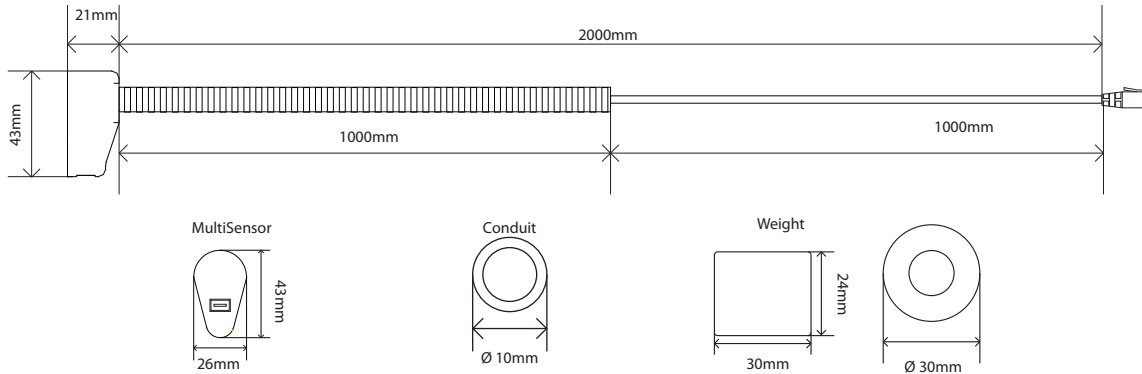
HS MultiSensor



For securing products in high risk environments, they can be extra secured with a HS MultiSensor - a flexible, conduit covered cable with MultiSensor instead of a Recoiler and Standard MultiSensor. The length of the conduit visible to customers can be adjusted using a weight and clips. This also allows the HS MultiSensor to retract back into the display.

The HS MultiSensor can be used with any of the alarm systems in the Stacey Range, and can be used with both the Cradle and LivePost Display Options.

The HS MultiSensor retains all the features of a Standard MultiSensor (including charging*).

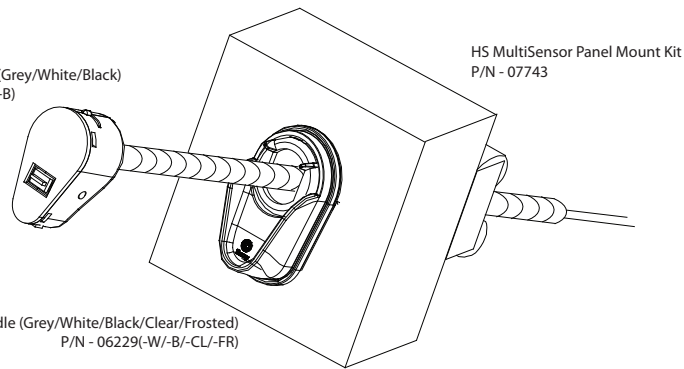


HS MultiSensor with Cradle



HS MultiSensor (Grey/White/Black)
P/N - 07501(-W/-B)

MultiSensor Cradle (Grey/White/Black/Clear/Frosted)
P/N - 06229(-W/-B/-CL/-FR)



HS MultiSensor Panel Mount Kit
P/N - 07743

Required Products:	
P/N	Description
07501(-W/-B)	HS MultiSensor (Grey/White/Black)
07743	HS MultiSensor Panel Mount Kit
06229 (-W/-B/-CL/-FR)	MultiSensor Cradle (Grey/Black/White/Clear/Frosted)

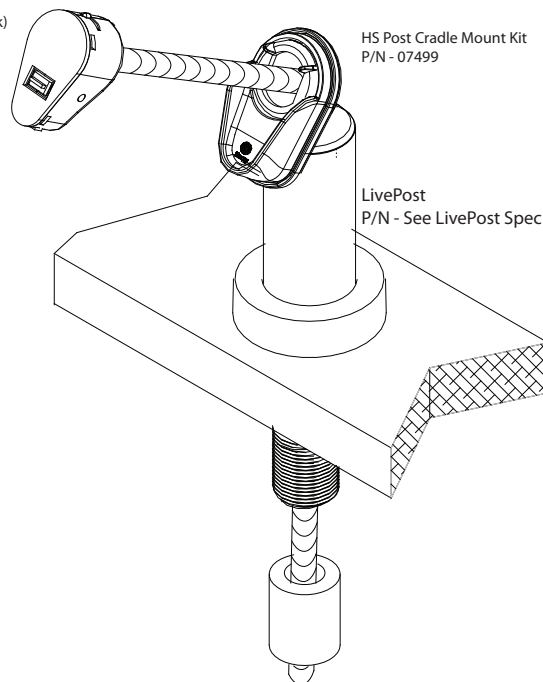
HS MultiSensor with LivePost



HS MultiSensor (Grey/White/Black)
P/N - 07501(-W/-B)

HS Post Cradle Mount Kit
P/N - 07499

LivePost
P/N - See LivePost Spec Sheet



Required Products:	
P/N	Description
07501(-W/-B)	HS MultiSensor (Grey/White/Black)
See LivePost Sheet	100, 150 or 200mm LivePost Parts (excluding 06870 or 06873)
07499	HS Post Cradle Mount Kit
06229 (-W/-B/-CL/-FR)	MultiSensor Cradle (Grey/Black/White/Clear/Frosted)

* Requires i3 Livelink or i3 Single and Handset Specific Charge Lead and Charging Interface Kit (if required).